

Touptek WiFi-Microscope-Camera Series WCAM

WCAM Series - CMount WiFi CMOS Camera

Touptek WCAM is WIFI camera and it adopts ultra-high performance CMOS sensor as the image-picking device. WIFI is used as the data transfer interface.

When the WCAM is attached to the eyepiece of a microscope and started, it will generate a WiFi signal for sending high-resolution images from a microscope to WiFi-enabled devices such as smartphones, tablets, and computers with iOS, Android, OS X, Linux and Windows operating systems, streaming images to up to six devices simultaneously.

The camera includes ToupView images software for quantifying, measuring, and annotating images and for using with an interactive white board. It also works with the free, downloadable Toupview app for viewing, capturing, and editing images.

The basic characteristics of WCAM cameras are as follows:

- C-Mount camera has 25.4mm or 1 inch diameter with 32 threads per inch;
- Scientific research grade camera with Aptina CMOS sensor;
- Sends H.264 encoded high-resolution images from a microscope to WiFi-enabled smartphones, computers, and tablets with iOS, Android, and Windows operating systems;
- Streams images to several devices simultaneously;
- Integrated zinc aluminum alloy housing;
- Ultra-Fine™ color engine with perfect color reproduction capability;
- With advanced video & image processing application ToupView (only support simple video viewing capturing for iOS/Android system);
- Custom programmable with SDK provided (Windows/Linux/OS);



Order Code	Sensor Size(mm)	Pixel(μm)	G Responsivity Dynamic range SNR _{max}	FPS/Resolution	Binning	Exposure(ms)
WCAM1080PA WP601080A	1080P/IMX222 (C) 1/2.8" (7.6 x 5.8)	2.8x2.8	510mv with 1/30s 0.15mv with 1/30s	25@1920x1080	1x1	0.059ms~1941ms
WCAM0720PA WP600720A	720P/MT9P001 (C) 1/2.5" (5.70 x 4.28)	2.2x2.2	1.0 V/lux-sec 61dB 43dB	30@1280x720	2x2	0.21ms~200ms
WCAM0720PB WP600720B	720P/MT9P001 (C) 1/2.5" (5.70 x 4.28))	2.2x2.2	1.0 V/lux-sec 61dB 43dB	10@1280x720	2x2	Auto Exposure
WCAM0300KPA WP600300KA	0.3M/MT9V011 (C) 1/4" (3.58 x 2.69)	5.6x5.6	1.9V/lux-sec 60dB 45dB	25@640x480	1x1	Auto Exposure

C: Color; M: Monochrome;

Other Specification for WCAM Camera

Spectral Range	380-650nm (with IR-cut Filter)
White Balance	Whole Area White Balance/ Mammal Temp Tint Adjustment/NA for Monochromatic Sensor
Color Technique	Ultra-Fine™ Color Engine/NA for Monochromatic Sensor
Capture/Control API	Native C/C++, C#/VB.NET, DirectShow, Twain and Labview
Recording System	Still Picture and Movie
Cooling System*	Natural
Maximum Connected Devices	<=3

Operating Environment

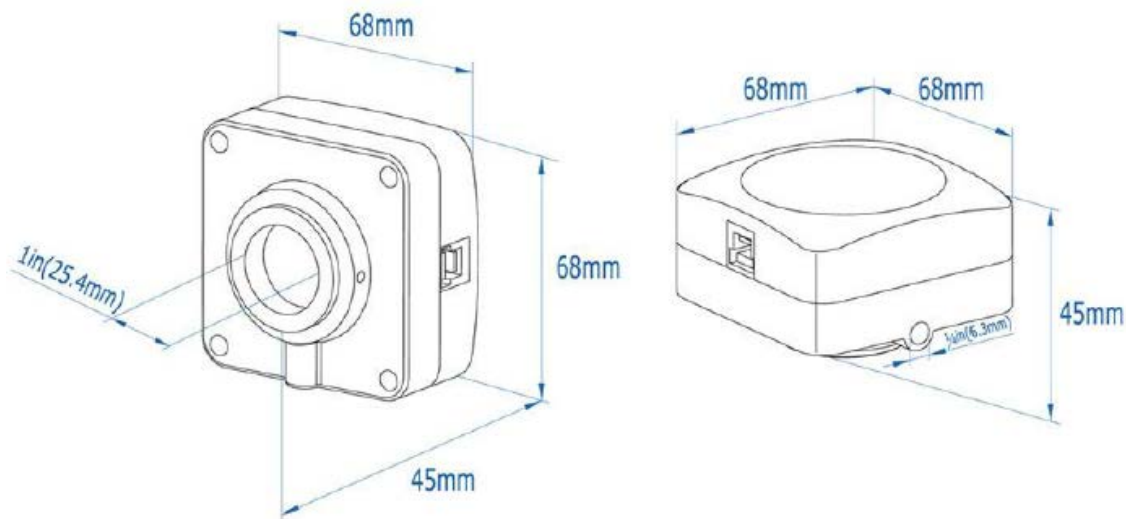
Operating Temperature(in Centidegree)	-10~ 50
Storage Temperature(in Centidegree)	-20~ 60
Operating Humidity	30~80%RH
Storage Humidity	10~60%RH
Power Supply	USB Charger, Not Recommend PC USB Port

Software Environment

Operating System	Microsoft® Windows® XP / Vista / 7 / 8 /10 (32 & 64 bit) IOS IPAD or iPhone, Android PAD and Phone
PC Requirements	CPU: Equal to Intel Core2 2.8GHz or Higher
	Memory:2GB or More
	WIFI Adapter with DHCP Enabled
	Display:17" or Larger
PAD	IPAD or PAD with Android System
Mobile Phone	IPhone or Smart Phone with Android System

Dimension of WCAM Series

The WCAM body, made from tough, zinc alloy, ensures a heavy duty, workhorse solution. The camera is designed with a high quality IR-CUT to protect the camera sensor. No moving parts included. These measures ensure a rugged, robust solution with an increased lifespan when compared to other industrial camera solutions..



Dimension of WCAM Series

Packing Information of WCAM Series



Standard Camera Packing List			
A	Carton L:52cm W:32cm H:33cm (20pcs, 11.4~14Kg/ carton), not shown in the photo		
B	Gift box L:15cm W:15cm H:10cm (0.57~0.58Kg/ box)		
C	WCAM series USB2.0 C-mount CMOS camera		
D	High-speed USB2.0 A male to B male gold-plated connectors cable /2.0m(for PC power only) or with USB charger		
E	CD (Driver & utilities software, Ø12cm)		
Optional Accessory			
F	Adjustable lens adaptor	C-mount to Dia.23.2mm eyepiece tube (Please choose 1 of them for your microscope)	108001/AMA037 108002/AMA050 108003/AMA075
		C-mount to Dia.31.75mm eyepiece tube (Please choose 1 of them for your telescope)	108008/ATA037 108009/ATA050 108010/ATA075
G	Fixed lens adaptor	C-mount to Dia.23.2mm eyepiece Tube (Please choose 1 of them for your microscope)	108005/FMA037 108006/FMA050 108007/FMA075
		C-mount to Dia.31.75mm eyepiece Tube (Please choose 1 of them for your telescope)	108011/FTA037 108012/FTA050 108013/FTA075
<p>Note: For F and G optional items, please specify your camera type(C-mount, microscope camera or telescope camera), ToupTek engineer will help you to determine the right microscope or telescope camera adaptor for your application;</p>			
H	108015(Dia.23.2mm to 30.0mm Ring)/ Adaptor rings for 30mm eyepiece tube		
I	108016(Dia.23.2mm to 30.5mm Ring)/ Adaptor rings for 30.5mm eyepiece tube		
J	108017(Dia.23.2mm to 31.75mm Ring)/ Adaptor rings for 31.75mm eyepiece tube		
K	Calibration Kit	106011/TS-M1(X=0.01mm/100Div.);	
		106012/TS-M2(X,Y=0.01mm/100Div.);	
		106013/TS-M7(X=0.01mm/100Div., 0.10mm/100Div.)	

The above statements are based on our present knowledge. Our statements should not be interpreted as a guarantee of characteristics. The use of our products by our customers is subject to different conditions, therefore none of our customers are relieved of the responsibility of testing our products by themselves. A liability for consequential damage will not be accepted in any case. For damage resulting from the use of this information we can only be held responsible if there is evidence of malice or negligence on our part. This data-sheet replaces any previous data sheets.

ASMETEC, METODRILL, METOCHECK, METOLIGHT, METOCLEAN and METO are registered trade marks of ASMETEC GmbH.

USB-Cam-WCAM-DB-E.doc, version Nov-18