

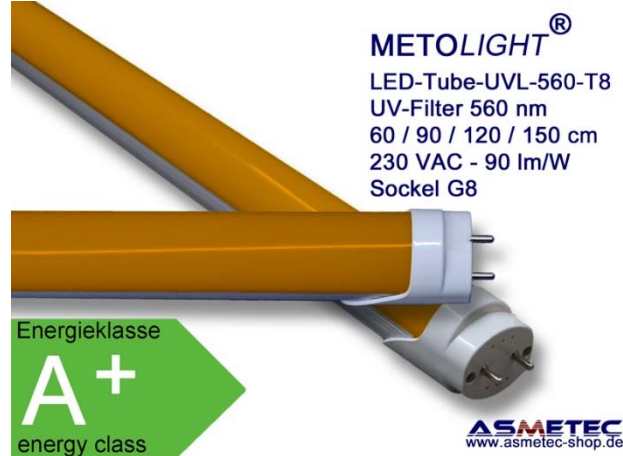
METOLIGHT® LED-Tube UVL-560-T8

Up to 80% energy savings compared to common CFL tubes

Made in Germany – ASMETEC Patent 20 2010 001 098.5

METOLIGHT® LED tubes specially developed for use in so-called yellow rooms with integrated UV filter 560 nm. This new development is based on modern, especially for this application modified LEDs, which certainly do not emit blue light components. The LED tubes have non-adjustable bases for luminaires with G13 socket. Of course, these tubes are contacted only on one side, the opposite end has an integrated short-circuit protection. All electrical components used are VDE compliant and designed for longevity.

We manufacture these UVL LED tubes in our own factory in Kirchheimbolanden based on our patent 20 2010 001 098.5. The integrated UV filter is protected against premature bleaching. The integrated power supply is double insulated and flicker free. The special LEDs have an efficiency of over 90 lm/W in the narrow light wave range of 560 to 630 nm.



Deliver forms:

The LED tubes UVL-560 are available in T8 sizes 60 / 90 / 120 and 150 cm.

Applications:

METOLIGHT® UVL LED tubes are used in rooms and work areas where UV-polymerizing products are processed (PCB / semiconductor industry, printers, paints and varnish manufacturers), etc. The products to be processed have their main sensitivity in the area range between 360 and 380 nm, but most colors, paints, resins, etc. also partially in the range well above 400 nm, ie in the visible light spectrum. Therefore, it is usually necessary to use such special UVL tubes to maintain the processing time of the products for a long time. Our UVL-560 LED tubes do not emit light below 560 nm. The UV filter is thicker and therefore more durable than UVL-520 and UVL-470. The LED tubes can be used without retrofit in luminaires with G13 socket and integrated KVG or VVG as retrofit. In luminaires with electronic ballasts, this must be removed by a qualified electrician. For quick and easy conversion we offer an adapter clamp (article 101606).

Compared to the conventional CFL-tubes, they are characterized by enormous efficiency and longevity. Up to 25,000 hours and longer, LED bulbs can be operated, with the power loss is only about 1% / 1000 operating hours. The average operating time of a conventional fluorescent tube is about 8000 hours. The energy saving is about 80% compared to fluorescent tubes operated at magnetic ballast.

3-year warranty:

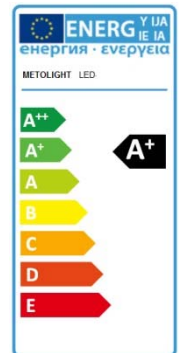
Our LED tubes UVL-560 are guaranteed for 3 years. Should a defect occur during this time, the LED tube will be repaired or replaced free of charge. (Assembly work and freight lanes are not covered by our warranty, please see our warranty conditions LED UVL Tubes)

Note:

The built-in UV filter may degrade depending on the daily duty cycle. Periodically check the room light with a suitable UV meter at least every 6 months. It is therefore recommended that filters can be exchanged by ASMETEC even after the warranty period.

The main advantages of METOLIGHT UVL LED tubes at a glance:

- Up to 80% savings in energy costs compared to conventional fluorescent tubes
- Average lifespan of over 25,000 operating hours
- Double insulated power supply and internal wiring, integrated electronic fuse - VDE compliant
- Full radiance right from the start without flickering or preheating, without 50 Hz flicker
- Direction of light downwards with 140 ° angle of diffusion, ideal for installation in luminaires with reflector grate
- High shock and vibration resistance, largely shatterproof
- Minimal heat emission due to high energy efficiency
- Lower power consumption correspondingly lower CO2 Output - your environmental contribution
- CE and RoHS compliant, no hazardous waste, no mercury



We offer these Versions:

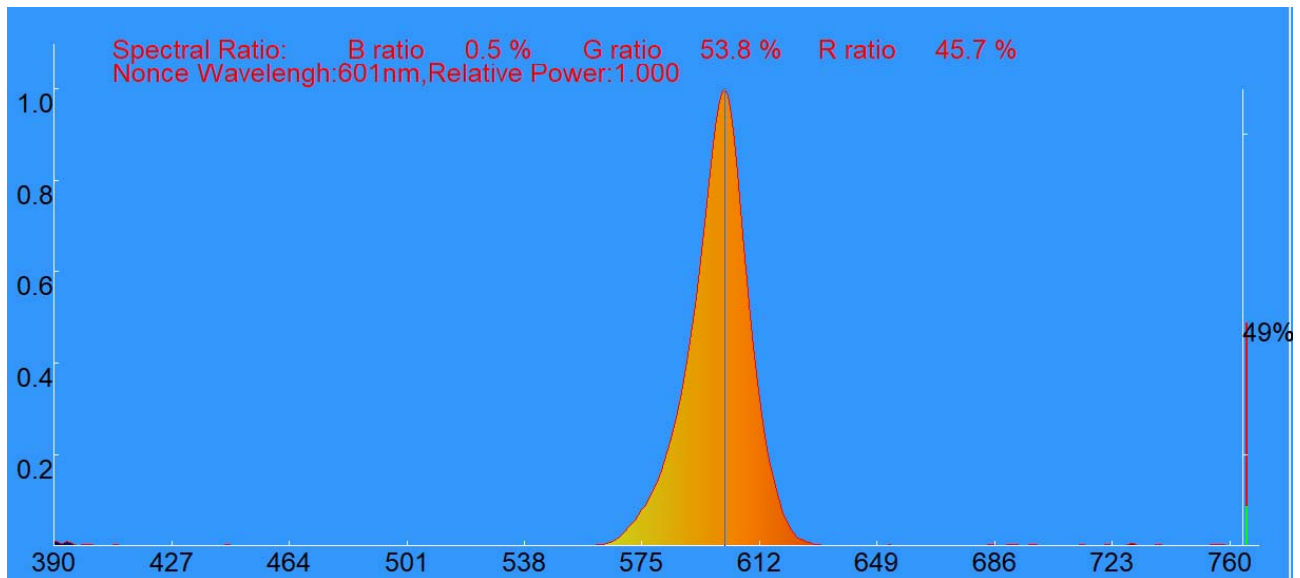
Item-No.r	UVL-560 nm	Lumen UVL-560 orange ca.	Power	Length	Replaces CFL
102474	LT-UVL-560-060	800 lm	10 W	60 cm	18 W
102475	LT-UVL-560-090	1100 lm	12 W	90 cm	30 W
102476	LT-UVL-560-120	1600 lm	18 W	120 cm	36 W
102472	LT-UVL-560-150	2100 lm	24 W	150 cm	58 W

Technical Notes:

- For indoor use only, 10 - 40 ° C / 10 - 80% RH
- All LED tubes are based on VDE standard, equipped with special SMD LEDs> 90 lm/W
- Retrofit for luminaires with KVG and starter - no light conversion needed. In luminaires with ECG, this must be removed by a qualified electrician and the luminaire rebuilt.
- One-sided contact, input voltage 180 - 240 VAC
- Operation on dimmers is not possible - this will damage the LED tube irreparably
- The UV filter makes the light orange, no true-to-color representation possible.
- Due to missing blue components in the light, correct readings are not possible for lumens and CRI.
- Always replace the LED tubes only with the lights switched off.
- Technical data sheets and IES data on request.
- Warranty period: 36 months from date of delivery (see warranty conditions)

The METOLIGHT UVL-LED-Tubes have these light characteristics

METOLIGHT LEDTube UVL-560



CE-Conformity:

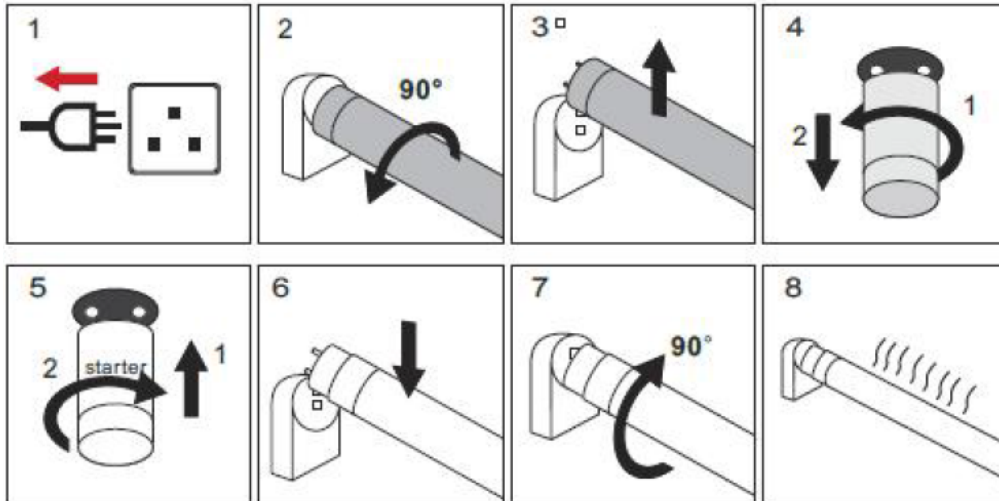
EN 50581:2012, EN55015:2013, EN60598-1:2009, EN60598-2-2:2012, EN60968:1990, EN60969, EN61000-3-2/2006, EN61000-3-3:2013, EN 61547:2013, EN62031:2008, EN62321:2013, EN62471:2008, EN62493:2010, EN62560:2012, EN62776

The above statements are based on our present knowledge. Our statements should not be interpreted as a guarantee of characteristics. The use of our products by our customers is subject to different conditions, therefore none of our customers are relieved of the responsibility of testing our products by themselves. A liability for consequential damage will not be accepted in any case. For damage resulting from the use of this information we can only be held responsible if there is evidence of malice or negligence on our part. This data-sheet replaces any previous data sheets.

ASMETEC, METODRILL, METOCHECK, METOLIGHT, METOSTAT, METOCLEAN and METO are registered trade marks of ASMETEC GmbH.
METOLIGHT UVL-560-DB-E.DOCX, VERSION NOV-19

Installation instructions for luminaires with ballast and starter

- The LED tubes are intended only for luminaires with ballast / ballast and starter, as well as for luminaires specially prepared for LED tubes.
- Do not operate in luminaires with ECG and / or dimmer switches.
- Do not make any technical changes to the luminaires.
- The LED tubes cannot be used for all applications in which fluorescent tubes were previously used (e. g. hazardous areas, EL areas, limited temperature range).
- If you have any questions, please contact Asmetec GmbH
- The LED tubes are suitable for general lighting tasks.
- **Never install LED tubes while the luminaire is switched on.** The overtensioning of the ballasts can irreparably destroy the LED tubes.



1. Power-off the luminaire
2. Turn the fluorescent tube 90 °
3. Remove the fluorescent tube
4. Remove the fluorescent tube starter
5. Insert the LED starter and turn it by 90 °
6. Insert the METOLIGHT® LED tube type MEAT (mounting direction does not matter) (If necessary, pull out the end caps a little and turn, then insert the LED tube again)
7. Turn the LED tube by 90 °.
8. Power on the luminaire

Troubleshooting (LED tube not lit)

Power supply, G13 sockets, overall luminaire OK?

Is the LED tube and LED starter used correctly?

Test the LED tube into another light. If the tube lights up there, the cause of the defect in the first lamp must be cultivated. If the tube does not light up there, the error is probably in the LED tube, then please return it to Asmetec.

ASMETEC has its own light measurement technology with 3 integrating spheres, goniophotometer and IES-compliant black space. We even carry out EMC measurements in our own laboratory