

## METOLIGHT® LED-Tracklight 3155-16 / 3155-16K

The LED tracklights Series 3155-16 are durable, professional-grade LED spot lights for use especially in shops, exhibitions, museums, galleries, etc. They are equipped with a CITIZEN High-Performance LED COB of the latest generation 120 lm / W and correspond to energy class A ++. With a CRI Ra > 80, the illuminated objects are reproduced in their natural colors. The tracklights are designed for installation in 3-phase power rails. After installation, they can be rotated horizontally 360° and swivelled vertically 90°. The integrated high-gloss reflector with diamond-cut lines provides a bundled, low-glare light beam with an beam angle of approx. 15 to 44° (depending on the model). The LED chip and the integrated LED driver can be replaced by ASMETEC in case of repair.

**METOLIGHT®**  
 LED-Tracklight-3155-16  
 Schienenleuchte für  
 3-Phasen-Schienen  
 20 / 30 Watt - 120 lm/W



The track lights are supplied as standard with white housing and 38° reflector, light colour 4000K neutral white.

Optionally, the light colours 3000K (warm white) and 6000K (cold white), beam angles 15°, 26°, 44° and the housing colour black or silver can be supplied.

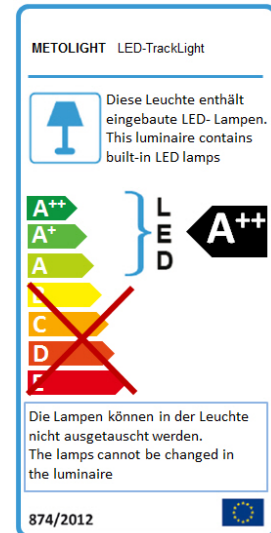
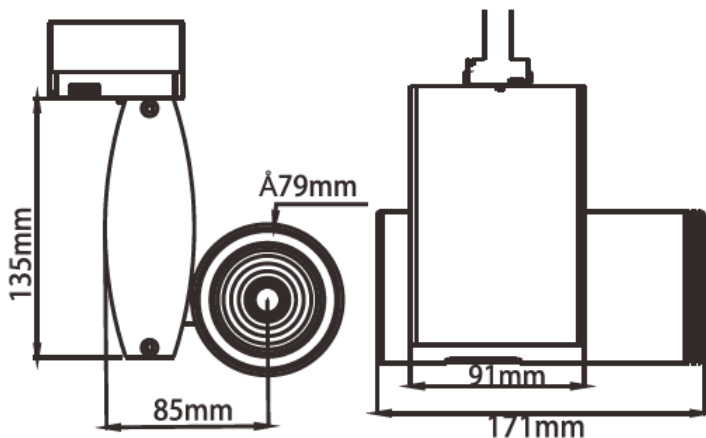
This track light is available in wattages of 20 Watt and 30 Watt, corresponding to about 150 Watt and 250 Watt halogen spotlights - an energy saving of over 80%.

### Variable light angle:

The 3155-16K version includes an adjustable glass lens, which allows the beam angle to be continuously adjusted between 24° and 60°.

Sufficiently dimensioned aluminium heat sinks ensure maintenance-free operation over many thousands of operating hours. The low heat generation, the UV-free light and the approx. 80% lower power consumption compared to conventional lighting technology make this LED luminaire particularly interesting for lighting in shops or boutiques, museums, galleries, exhibitions - wherever economical, bright light without UV radiation is required.

### Sizes:



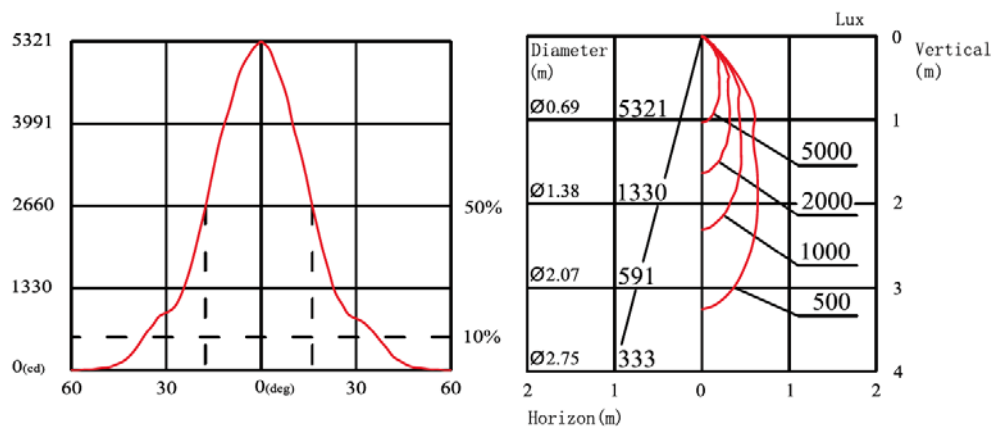
## Technical Data:

Typ. Tolerance ca. 10%

	3155-16-20	3155-16K-20	3155-16-30	3155-16K-30
Power	20 Watt	20 Watt	30 Watt	30 Watt
Input Voltage	220 - 240 VAC - 50/60 Hz			
Driver output	36 VDC 550 mA	36 VDC 550 mA	36 VDC 820 mA	36 VDC 820 mA
CRI	CRI Ra > 80 / option Ra > 90			
LED Lifetime	> 30.000 h			
Switch cycles	> 100.000			
Beam angle	38°	24-60°	38°	24-60°
Lumen 3000K	2200 lm	2200 lm	3000 lm	3000 lm
Lumen 4000K	2400 lm	2400 lm	3400 lm	3400 lm
Lumen 6000K	2500 lm	2500 lm	3600 lm	3600 lm
Weight	ca. 1,0 kg			
IP-Class	IP44			
Protection Class	I			
Environment	-10°C ~ +45°C / 10-80% rH			
Dimmable ?	Standard: no, Option 0-10V / DALI / Triac			

## Light data

Version 30 Watt, 38°



3155-16-White



3155-16K-black



## Installation:

Installation may only be carried out by a qualified electrician. The general safety instructions for handling electricity must be observed. Before installation, the supply line must be disconnected from the power supply and secured against accidental switching on. Further information: See installation instructions for rail luminaires



The above statements are based on our present knowledge. Our statements should not be interpreted as a guarantee of characteristics. The use of our products by our customers is subject to different conditions, therefore none of our customers are relieved of the responsibility of testing our products by themselves. A liability for consequential damage will not be accepted in any case. For damage resulting from the use of this information we can only be held responsible if there is evidence of malice or negligence on our part. This data-sheet replaces any previous data sheets.

ASMETEC, METODRILL, METOCHECK, METOLIGHT, METOSTAT, METOCLEAN and METO are registered trade marks of ASMETEC GmbH.  
LED-TRACK-3155-16-DB-E.DOC, VERSION JAN-18